

# Propeller type Current Meter

Model Main unit VO-301A VO1000  
 Detector VOT2-100-05N VOT2-100-10  
 VOT2-200-20



Model VO-301A



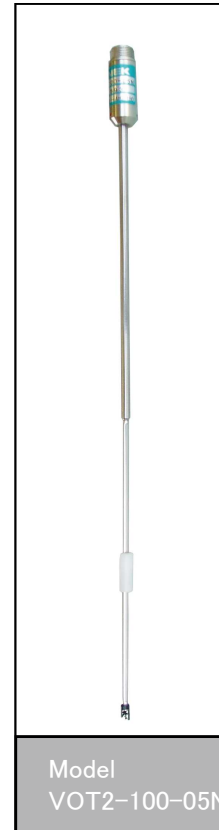
Model VO1000

## VO-301A

Display is analog meter. There is a pulse output.  
 It can check rotation of the continuous voltage  
 output and a propeller. The coefficient of each  
 detector can be set up with a digital switch.

## VO1000

It is with the analog signal output. Velocity indication  
 and pulse indication can be seen by switching.  
 The rotation of the propeller can be confirmed by  
 a beep tone. A rechargeable battery is built in and  
 both the inside and open air can be used.

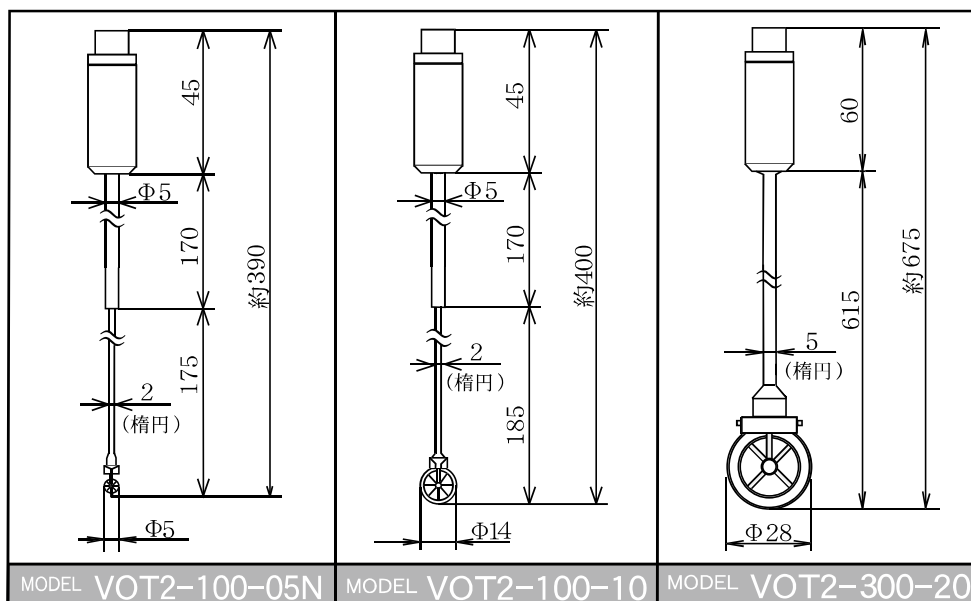


Model  
VOT2-100-05N



Model  
VOT2-100-10

A detector has three kinds, and compatible with three main unit.



[Standard specification ]

1. Main unit

|   | <b>VO1000</b>   | <b>VO-301A</b>  |
|---|---|---|
| Model   | <b>VO1000</b>   | <b>VO-301A</b>  |
| Measuring range                                 | $\pm 3 \sim \pm 200 \text{ cm /s}$  | $\pm 3 \sim \pm 200 \text{ cm /s}$                                      |
| Measurement precision                           | Within $\pm 3 \text{ cm /s}$  | Within $\pm 3 \text{ cm /s}$  |
| Average time                                    | 1, 5, 10, 20, 40, 60sec.  | *   |
| Output voltage                                  | $\pm 2\text{V/FS}$  | $\pm 5\text{V/FS}$  |
| Output current                                  | *   | 4 ~ 20mA  |
| Output pulse                                    | *   | TTL level   |
| Calibration signal                              | *   | +50% and +100%  |
| Indication                                      | LCD 20 letters 4 lines  | Analog meter (cm/s)   |
| "A"constant setting                             | Input by the kye  | Digital switch  |
| Pulse sound                                     | The buzzer intermittent sound   | *   |
| Measuring mode                                  | Auto/Manual   | *   |
| Ambient environment                             | Temperature 0 ~ + 40 °C   | Humidity 20 ~ 80%   |
| Power source                                    | 2 way system<br>DC:Built-in 2nd battery 12V<br>AC100V $\pm 10\text{V}$ (50/ 60Hz)<br>(for combined use with AC-Adapter) | AC100V $\pm 10\text{V}$ (50/60Hz)<br>Need to designate of power source. |
| Dimensions (W × H × D)<br>(without projections) | 215 × 100 × 66 mm   | 310 × 150 × 345 mm  |
| Weight  | Approx. 1.3 kg  | Approx. 5.6 kg  |

2. Detector unit

|  | <b>VOT2-100-05N</b>  | <b>VOT2-100-10</b>   | <b>VOT2-200-20</b>                            |
|--|--|--|---|
| Model                                      | <b>VOT2-100-05N</b>  | <b>VOT2-100-10</b>   | <b>VOT2-200-20</b>                            |
| Detecting method                           | Optical pulse count type.                                      |  |   |
| Measuring range                            | $\pm 3 \sim \pm 100\text{cm /s}$                               | $\pm 3 \sim \pm 100\text{cm /s}$                               | $\pm 3 \sim \pm 200\text{cm /s}$              |
| Measurement error                          | within $\pm 3\text{cm /s}$                                     | within $\pm 3\text{cm /s}$                                     | within $\pm 3\text{cm /s}$                    |
| Propeller                                  | $\phi 5 \text{ mm}$<br>Made of stainless steel                 | $\phi 10 \text{ mm}$<br>Made of stainless steel                | $\phi 20 \text{ mm}$<br>Made of Polypropylene |
| Pulse / rotation                           | 8  | 8  | 20  |
| Rod  | $\phi 3$ (Oval) + $\phi 5\text{mm}$<br>Made of stainless steel | $\phi 3$ (Oval) + $\phi 5\text{mm}$<br>Made of stainless steel | 5 × 10mm (Oval)<br>Brass Ni-plating           |
| Protection ring                            | *  | D i a $\phi$   | Dia $\phi 28\text{mm}$                        |
| Overall length                             | Approx.390mm   | 14mmApprox.400mm   | Approx.680mm                                  |
| Weight                                     | Approx.70g   | Approx.70g   | Approx.220g                                   |
| Working temperature                        | 0 - 40 °C (Not to be frozen)                                   |  |   |
| Waterproof connector withstanding pressure | 2kg/cm <sup>2</sup> (20m)                                      |  |   |

[Standard accessories ]

| Main unit             | Model | <b>VO1000</b> | <b>VO-301A</b> | Detector unit           | Model | <b>VOT2-100-05N</b> | <b>VOT2-100-10</b> | <b>VOT2-200-20</b> |
|-----------------------|-------|---------------|----------------|-------------------------|-------|---------------------|--------------------|--------------------|
| • AC Adapter          |       | 1             | *              | • Connecting cable (5m) |       | 1                   | 1                  | 1                  |
| • Power supply cable  |       | *             | 1              | • Fitting               |       | 1                   | 1                  | 1                  |
| • Output cable (1.5m) |       | 1             | 3              | • Data sheet            |       | 1                   | 1                  | 1                  |
| • Fuse (0.5A)         |       | *             | 4              | • Wooden box            |       | 1                   | 1                  | 1                  |
| • Fuse                |       | *             | 2              | • Tweezers              |       | 1                   | 1                  | *                  |
| • Recording paper     |       | *             | *              | (for the trash removal) |       |                     |                    |                    |
| • Carrying case       |       | 1             | *              |                         |       |                     |                    |                    |
| • Instruction manual  |       | 1             | 1              |                         |       |                     |                    |                    |

NOTE : (\*) This mark lacks equipment, or it isn't attached.

\* Contents of mention of this catalog are sometimes changed without notice.

**KENEK Corporation**

2-8-1, Musashino, Akishima, Tokyo.

196-0021 Japan

Pho. +82-42-544-1011 Fax. +82-42-544-4748